

The Legend APC Open Baghouse Collector is ideal for removing particulate from industrial air streams. They come in three sizes ranging from 2000–5000 CFM.

Designed for woodworking, plastic and other dry dust collection. Our product will maintain optimum efficiency no matter how tough the job is.



LEGEND

APC

Open Baghouse Collectors

LOBH-5 / LOBH-10 / LOBH-15 Models

Features

- Mechanical shaker for fast and easy bag cleaning
- Sized and designed for indoor use. See National Fire Protection Association guidelines and the local Authority Having Jurisdiction for details.
- Includes a push-button manual starter with either a 480 VAC/3 Phase or 240 VAC/3 Phase motor
- Comes with bag or barrel discharge options
- Small footprint
- Arrives practically ready to use - bolt it to the floor, connect the duct, plug it in, and start working.

Applications

- Ideal for woodworking, plastics, and other dry dusts
- Not recommended for sanding applications

Filter Material

100% polyester, woven, Beane-style bag with texturized filament. Carbon yarn is knitted into the yarn to protect against static buildup.



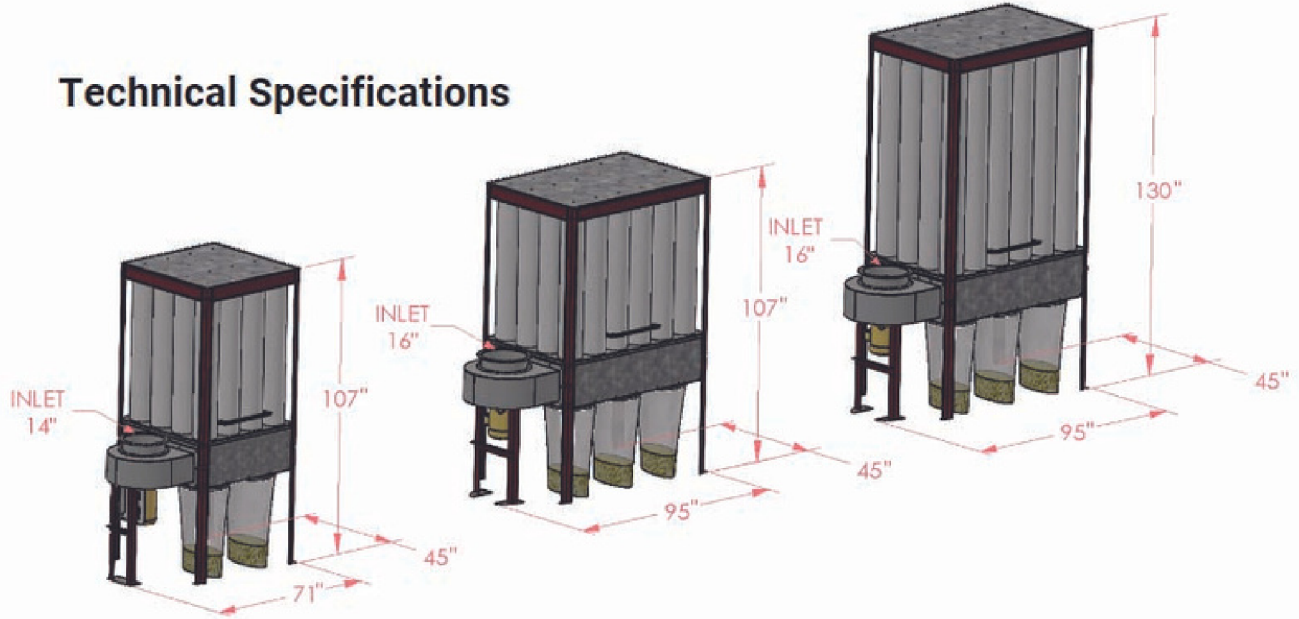


LEGEND

APC

Open Baghouse Collector

Technical Specifications



SKU	Airflow Capacity	Pressure Drop	Motor Power	Filtration Area	Filter Bags	Discharge	Shipping Weight	Footprint	Height
	CFM	WG"	HP	ft ²	Count	Ports	lbs.	in.	in.
LOBH-5	2000	8.0	5	163	16	2 @ 18"	640	45x71	107
	3000	5.0							
LOBH-10	4000	7.8	10	245	24	3 @ 18"	740	45x95	107
	4500	6.0							
LOBH-15	4000	10.5	15	347	24	3 @ 18"	820	45x95	130
	5000	7.0							

Discharge Options



Bags



Barrels