

The Legend APC Spark Trap tumbles grinding sparks and embers through a torturous path giving them time to burn out before exiting. Due to this patented design, there are no space requirements between the spark trap and the dust collector. Recommended for most metal dusts. Our spark traps have proven spark mitigation, greatly reducing the risk of fire and filter media damage.



Spark Trap

Features

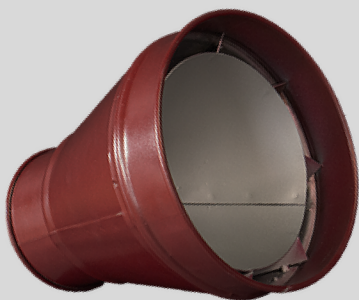
- Rugged steel construction
- Powder-coated for durability
- Exclusive, patented, ember-snuffing design
- Tool-free clean-out door
- Optional drop-out kit allows for floor-level emptying
- Can be placed right at the collector
- Minimal pressure drop



*4" model without reducer shown

Technical Data

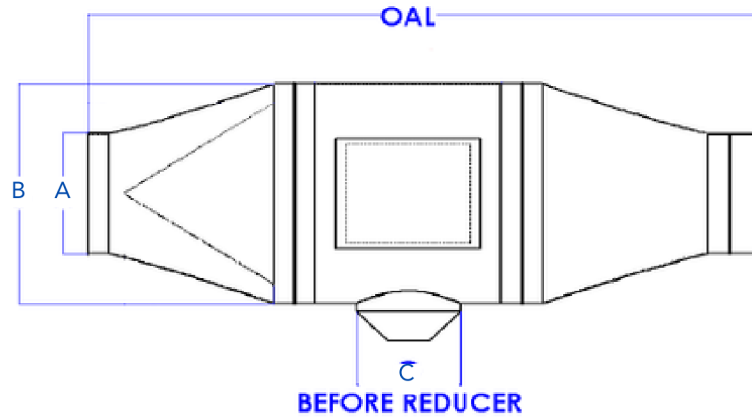
- Available in 4" to 44" diameter inlets/outlets
- Rolled lip connections on sizes up to 24"
- Flanged connections on sizes above 24"
- Hangers included
- Recommended velocity: 3200 fpm
Pressure Drop: 0.8" at 3200 fpm
Pressure Drop: 2.8" at 4500 fpm



*Vortex producing inlet cone



Spark Trap



3500

SKU	A Inlet	B Body	C Dropout Diameter	OAL Overall Length***	CFM@ 3500 FPM
LSST04.G	4	8	4	40	305
LSST06.G	6	10	4	40	687
LSST08.G	8	14	6*	48	1222
LSST10.G	10	18	8*	56	1303
LSST12.G	12	22	10**	65	2749
LSST14.G	14	24	10**	68	3742
LSST16.G	16	28	10**	77	4887
LSST18.G	18	32	14**	88	6185
LSST20.G	20	34	14**	90	7636
LSST22.G	22	38	14**	100	9239
LSST24.G	24	42	18**	109	10996
LSST26.G	26	46	18**	117	12905
LSST28.G	28	48	18**	121	14966
LSST30.G	30	52	18**	131	17181
LSST32.G	32	56	18**	140	19548
LSST34.G	34	60	18**	150	22068
LSST36.G	36	62	18**	152	24740
LSST38.G	38	66	18**	161	27565
LSST40.G	40	70	18**	169	30543
LSST42.G	42	74	18**	177	33674
LSST44.G	44	76	18**	179	36957

* Includes Reducer to 4" Hose for Collection Barrel

** Includes Reducer to 6" Hose for Collection Barrel

*** Overall length will vary slightly depending on requested end conditions and variations in sotkc items; +/- 1". Length based on average width of connections at 2".