

The Legend APC Standing Fume Arm quickly removes fumes from any sized space. Our arm offers a 360-degree continuous rotation. Locking levers ensure the hood stays put where you position it. Our fume arm is ideal for capturing harmful fumes from welding, soldering or light dusts. Maintain the safety of your workspace with this essential product.



LEGEND

APC

Standing Fume Arm

Features

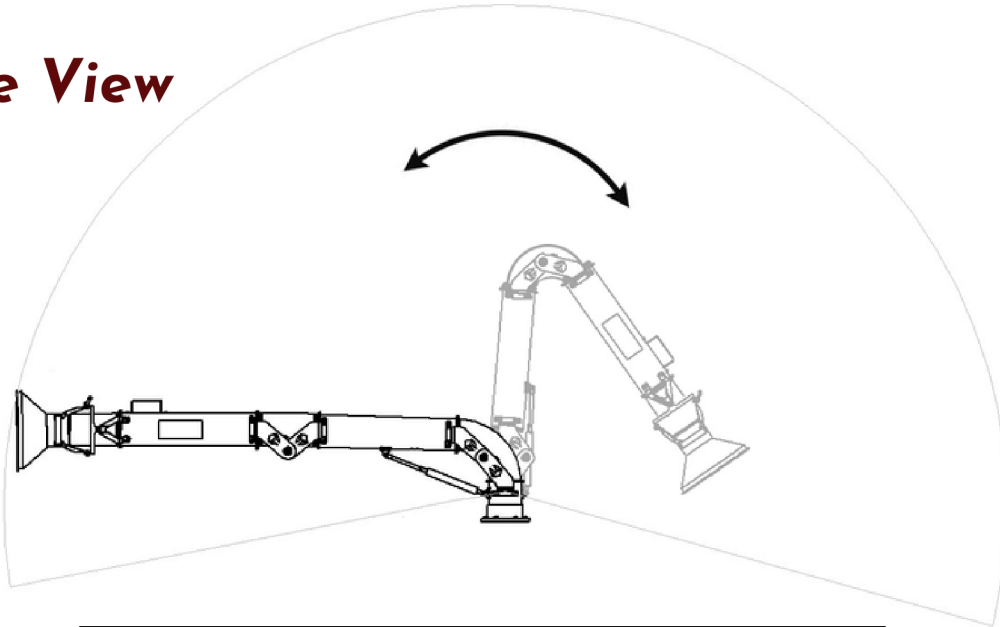
- Continuous 360-degree rotation
- Rugged steel and aluminum construction
- Powder-coated for durability
- Wide spun hood for maximum capture volume
- Smooth articulation
- Tightening levers for hood position locking
- Grab handles for precise positioning
- Temperature rated for -60° F to 275° F
- Comes fully assembled

Technical Data

SKU	Pipe Diameter	Arm Length	Hood Diameter
LFA-6-8	6"	8'	14"
LFA-8-8	8"	8'	14"
LFA-6-10	6"	10'	14"
LFA-8-10	8"	10'	14"



Side View



Working Capture Coverage
8ft Arm: 1072 ft³
10ft Arm: 2094 ft³

Plan View

